

## Camcarriers®

### Side Loading

*For GN Food Pans*

Models 1318MTC

*For Trays and Sheet Pans*

Models 1318MTC, 1826MTC



### Features & Benefits

- Rugged and dependable, these Camcarriers transport hot and cold food from kitchen to event.
- Offers a wide variety of food transporting options with GN Full and Fractional Size Food Pans or Trays and Sheet Pans.
- GN Full Size Food Pan capacity:
  - Model 1318MTC - 4 each 2½" (6,5 cm) deep
  - 2 each 4" (10 cm), 1 each 2½" (6,5 cm) deep
  - 2 each 6" (15 cm) deep
  - or 1 each 8" (20 cm), 1 each 2½" (6,5 cm) deepAlso holds GN 1/2 and 1/3 Size Food Pans.
- Tray and Sheet Pan capacity:
  - Model 1318MTC - 8 each 13" x 18" (33 x 46 cm)
  - Model 1826MTC - 6 each 18" x 26" (44 x 66 cm)
- Store hot and cold foods in the Model 1318MTC with the use of the optional ThermoBarrier® Insulated Shelf Divider. Keep food chilled for 8 hours or more with the optional Camchiller®. No external power or ice required.
- One-piece seamless, double-wall, high-density polyethylene construction is durable, lightweight and dishwasher safe. Textured exterior is scratch resistant.
- Foamed-in polyethylene insulation and an airtight gasket helps to ensure excellent food temperature retention, hot or cold. Recessed vent cap located on the side helps equalize pressure and release steam.
- All latches secure the door tightly and will not rust or corrode.
- Model 1318MTC has two recessed plastic latches. Model 1826MTC has two or three each recessed stainless steel latches
- Molded-in handles provide comfortable, easy transporting.
- Securely stacks easily for more efficient transportation and storage.
- Optional Camdollies® provide easy transporting.
- Non-electrical.
- No assembly required.
- Models 1318MTC and 1826MTC are available in 6 colors.

Item No. \_\_\_\_\_

Specifier Identification No. \_\_\_\_\_

Model No. \_\_\_\_\_

Quantity \_\_\_\_\_



**1318MTC**  
(For GN Food Pans and  
Trays and Sheet Pans)



**1826MTC**  
(For Trays and Sheet Pans)

### Approvals



# Camcarriers®

## Side Loading

For GN Food Pans

Models 1318MTC

For Trays and Sheet Pans

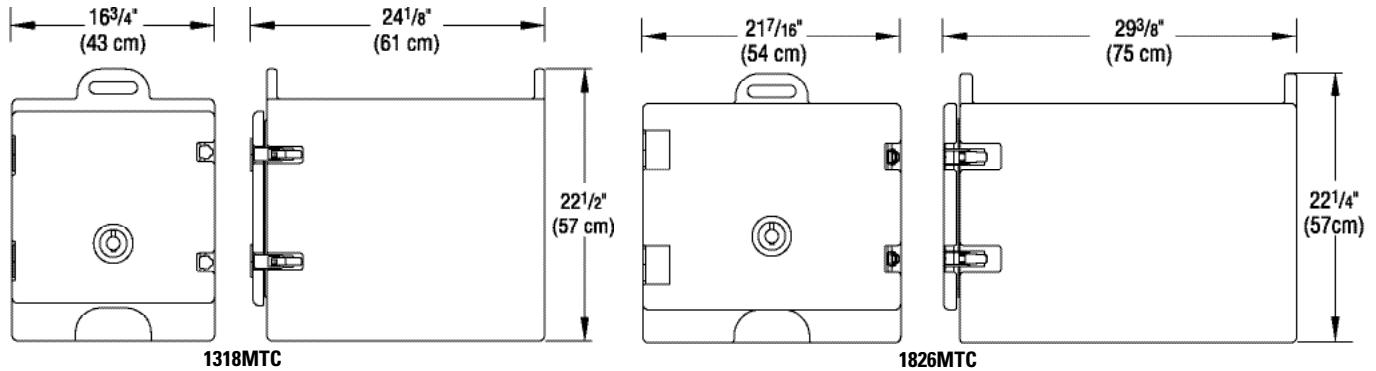
Models 1318MTC, 1826MTC

Item No. \_\_\_\_\_

Specifier Identification No. \_\_\_\_\_

Model No. \_\_\_\_\_

Quantity \_\_\_\_\_



## Specifications

Code	Description	Approx. Capacity	Exterior Dimensions W x D x H	Case lbs./cube Kg/m <sup>3</sup>
1318MTC	For GN Food Pans and Trays and Sheet Pans Camcarrier	36 qts (34 L)	16 3/4" x 24 1/8" x 22 1/2" (61 x 43 x 57 cm)	31.75 (5.74) 14,5 (0,16)
1826MTC	For Trays and Sheet Pans Camcarrier	-	21 7/16" x 29 3/8" x 22 1/4" (54 x 75 x 57 cm)	45 (8.63) 20,5 (0,24)

Dimension Tolerance: +/- 1/4" (0,64 cm)

## Optional Accessories

- ThermoBarriers®  300DIV for 1318MTC  
Coffee Beige (157)
- Camchiller®  CP1220 for 1318MTC
- Strap  1826STP for 1826MTC
- Camdolly®  CD300 for 1318MTC  
 CD300HB for 1318MTC  CD300H for 1318MTC  
 CD1826MTC for 1826MTC  CD1826MTCHB for 1826MTC

## Standard Colors

- Navy Blue (186)
- Coffee Beige (157)
- Black (110)
- Slate Blue (401)
- Dark Brown (131)
- Gray (180)

## Architect Specs

The portable non-electrical side loading GN Food Pan transport carrier shall be a Camcarrier, Models 1318MTC and 1826MTC, manufactured by Cambro Mfg. Co., Huntington Beach, CA 92648 U.S.A. It shall be made of one-piece, seamless, double-wall, high-density polyethylene and foam-injected polyurethane. It shall have a recessed vent cap on the outside side compartment door to help equalize pressure and release steam. It shall have an airtight gasket. It shall be available to transport GN Full and Fractional size Food Pans, up to 8" (20 cm) deep or Tray and Sheet Pans. It shall be available to accommodate an optional ThermoBarrier shelf divider or Camchiller. It shall

have 2 or 3 each recessed stainless steel or plastic latches. It shall have two each molded-in handles. It shall have an interlock design on the bottom and top corners to provide secure stacking for transport and storage. It shall be transportable with optional Camdollies. It shall require no assembly and shall be available in 6 colors.

## Approvals

